



ASSEMBLY INSTRUCTION

NL4FX / NL4FRX

speakON® SPX Series | Lockable Loudspeaker Connector

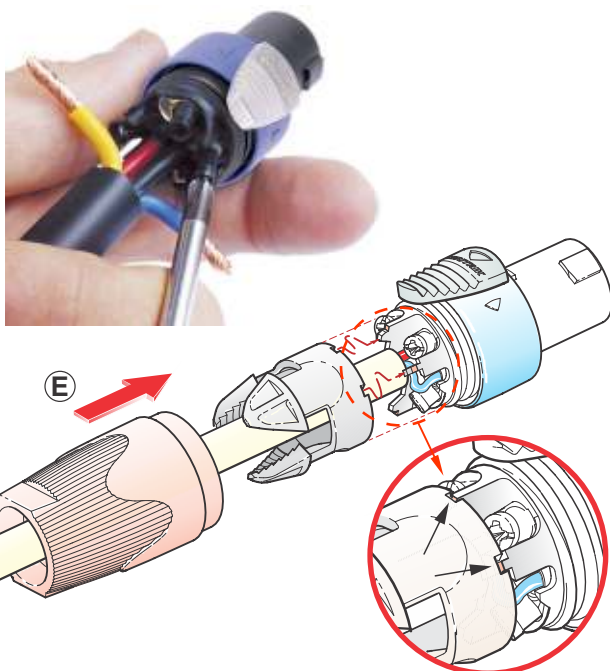
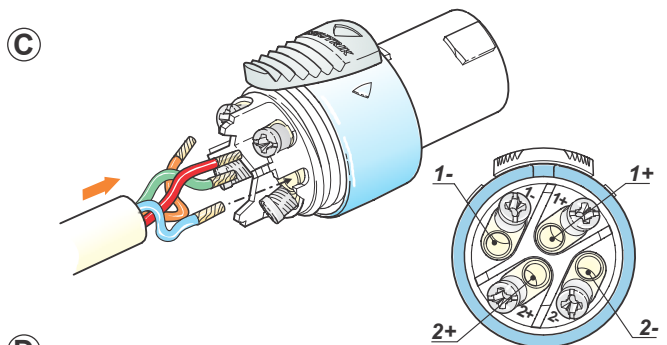
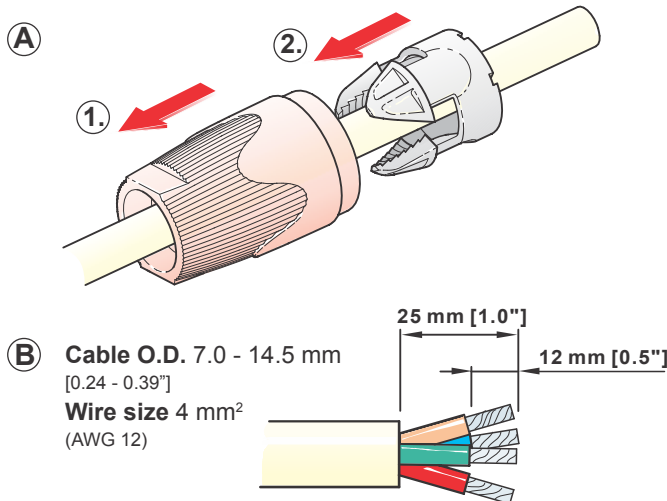
IMPORTANT SAFETY INSTRUCTION

Electrical Rating acc. UL & CSA:
USR: 40A/250V, CNR: 25A/250V

“CAUTION: NOT FOR INTERRUPTING CURRENT”

“ATTENTION: NE PAS UTILISER POUR COUPER LE COURANT”

Attention: speakON is not to be used as an AC mains or power supply connector!



Assembly of the Connector:

- A** Place the bushing and chuck over cable.
- B** Prepare the cable as shown.
Important is the stripping length of 25 mm and 12 mm.
- C** Insert wires into terminals and secure clamp terminals with screw driver (POZIDRIV® #1) at max. torque 0.8 Nm.
For 6 mm² (AWG 10) remove screws, clamping sheet and solder.
- D** For easy wiring especially on big cables, first screw on the inner contacts 1+ and 2+ and afterwards the outer contacts 1- and 2- !

- E** Push chuck up to housing .
Important: Align the chuck by positioning the nose into the recess.

- F** Tighten the bushing

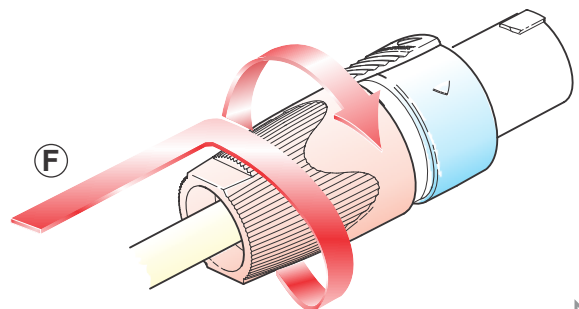
INFO to the screw driver:



DO NOT USE!

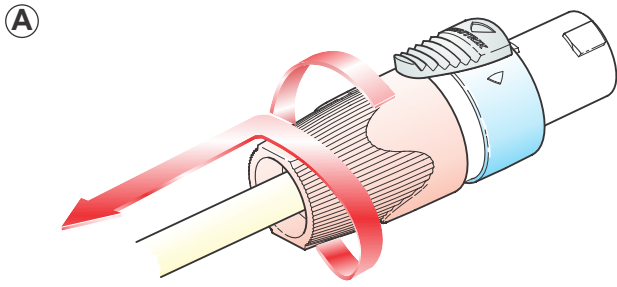
POZIDRIV® #1

Philips

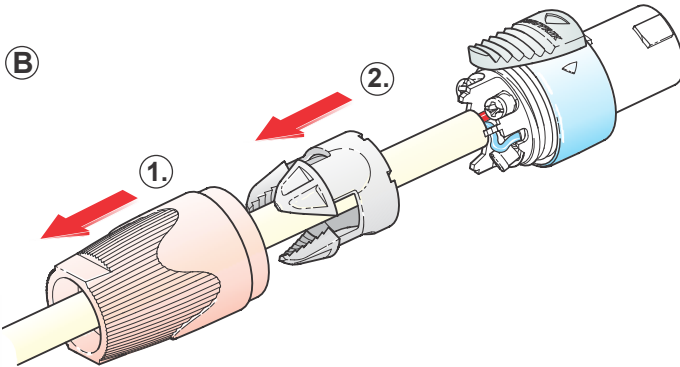




Assembly of the Conversion Kit LRX:



A Open the bushing.



B Slide the bushing and the chuck back.

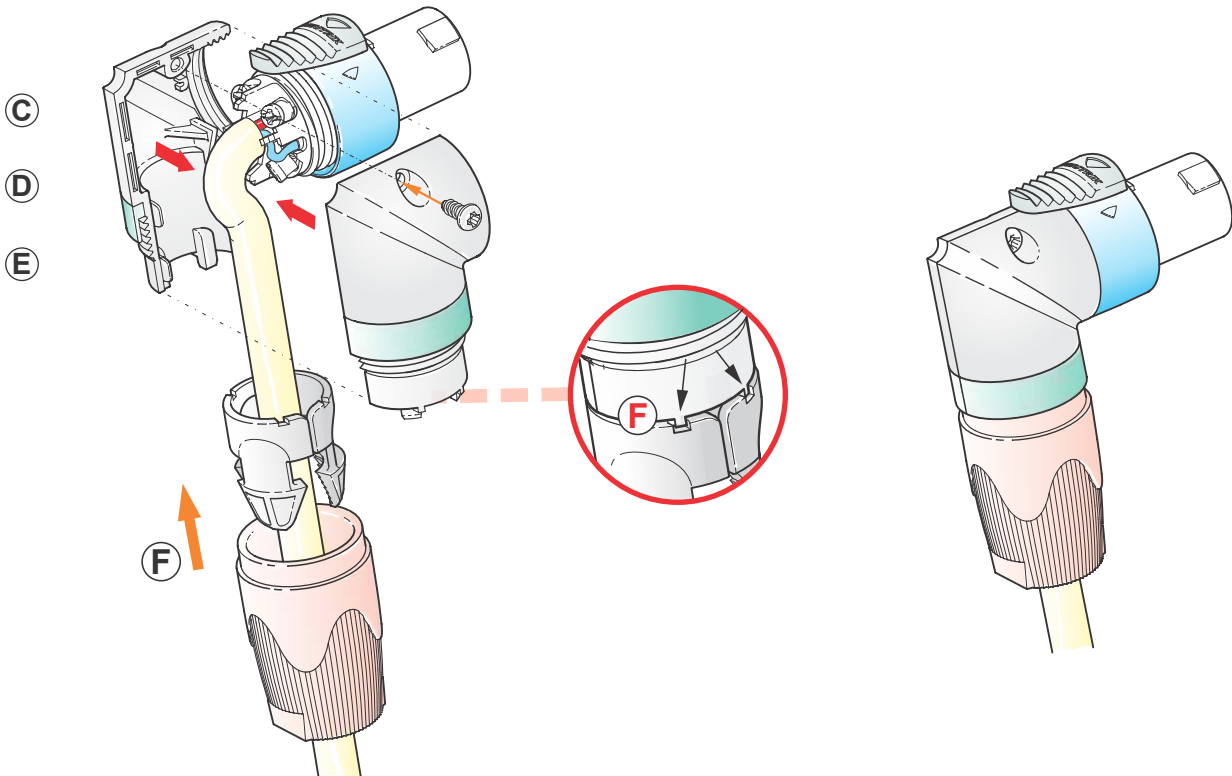
C Bend the cable as shown.

D Position the two conversion shells to fit on the connector thread.

E Press together and fix by screw.

F Slide the chuck onto the housing and fasten the bushing.

Important: Align the chuck by positioning the nose into the recess.



NEUTRIK AG	LI	T: +423/237 24 24	F: +423/232 53 93	NEUTRIK France	FR	T: +33 1/4131 6750	F: +33 1/4131 0511
NEUTRIK USA Inc.	USA	T: +1 704 / 972 3050	F: +1 704/438 9202	NEUTRIK Tokyo Ltd.	JP	T: +81 3/3663 4733	F: +81 3/3663 4796
NEUTRIK (UK) Ltd.	UK	T: +44 1983 / 811 441	F: +44 1983/811 439	NEUTRIK Hong Kong Ltd.	HK	T: +852/2687 6055	F: +852/2687 6052
NEUTRIK Vertriebs GmbH	DE/NL/AT/DK	T: +49 8131 / 280 890	F: +49 8131/280 830	NEUTRIK India Pvt. Ltd.	IND	T: +91/982 05 43 424	F: +91/22 26163 540