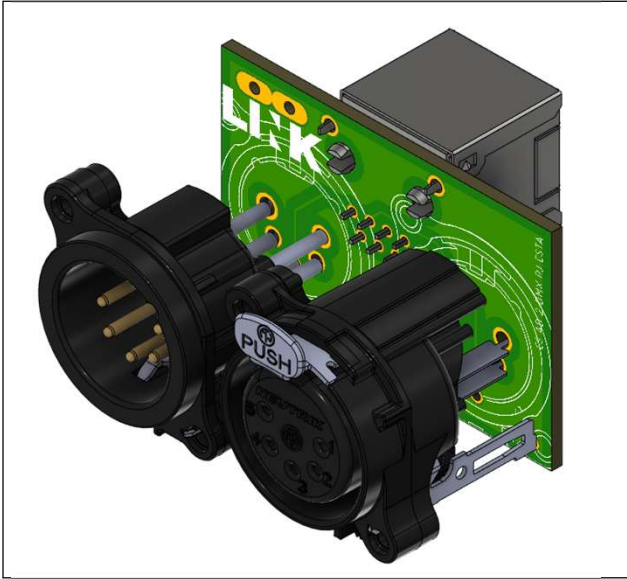
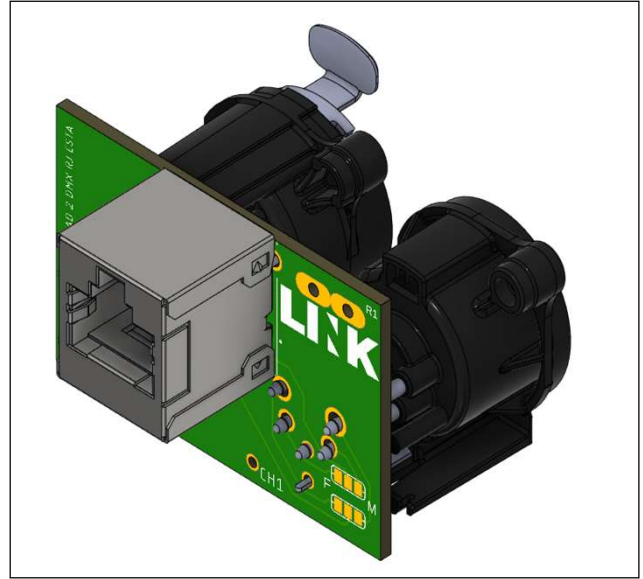


## 1A01267 - ADMIORJDMXESTA

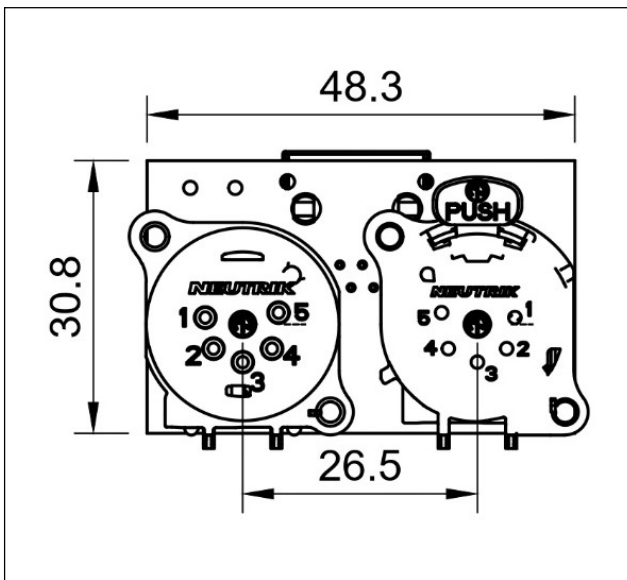
3D



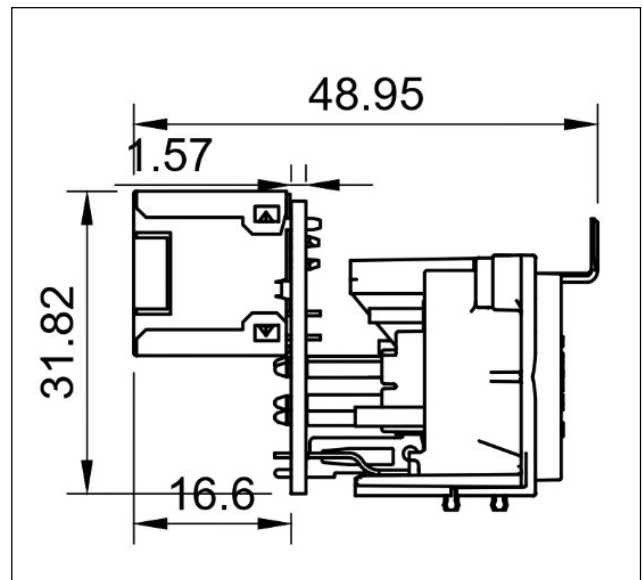
3D



2D

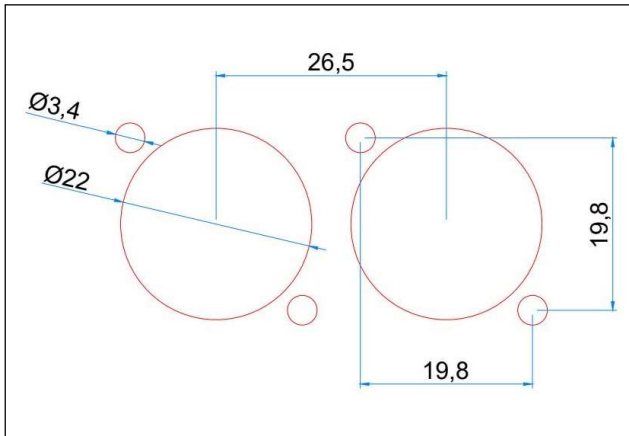


2D



## 1A01264 - ADM2ORJDMXESTA

### Cutout



### Components

- 1x CSAD2IORJDMXESTA
- 1x RJ45 VERTICAL PCB JACK
- 1x NC5MAV
- 1x NC5FAV

### Pinout

RJ45 / PCB Pin	Pair	D2N4,5 Wire Color	NC5
1	1	Red	CH 1 – Pin 3
2		White	CH 1 – Pin 2
3	2	Red	CH 2 – Pin 3
6		White	CH 2 – Pin 2
4	3	Red	NC
5		White	NC
7	4	Red	CH 1 – Pin 1
8		White	CH 2 – Pin 1

### Notes:

Can be used with UTP, S/UTP or SF/UTP type Cat5/6/7 Cable  
 Compatible with USITT/ESTA ANSI E1.11 - 2008 (R2013) Section 7.3