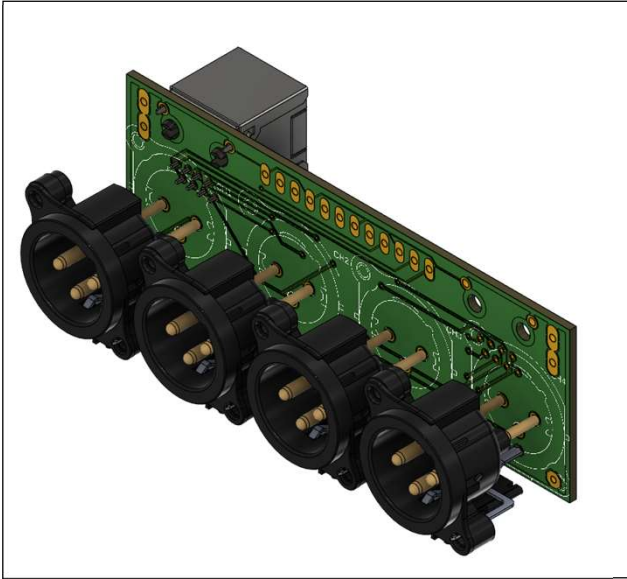
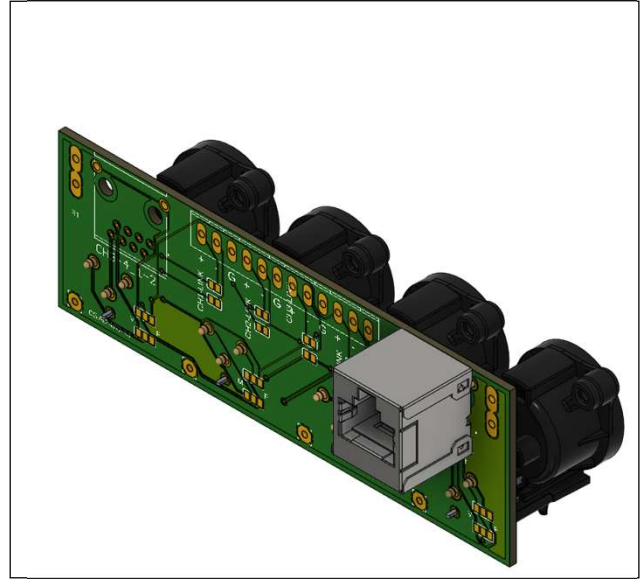


## 1A01210 - ADM4OUT1RJ

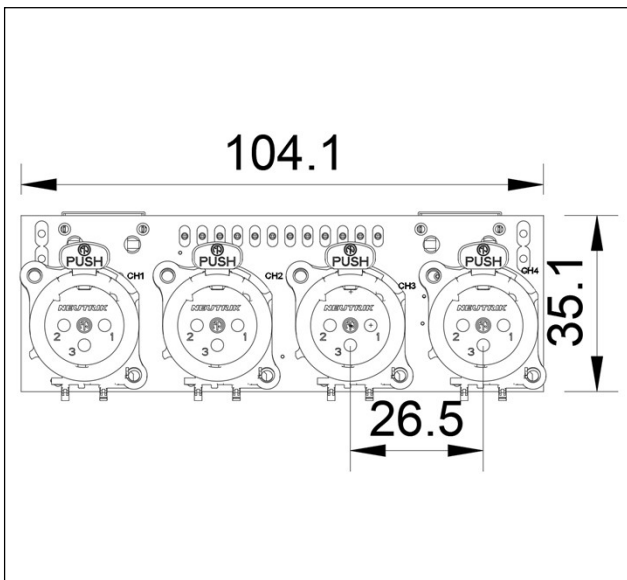
3D



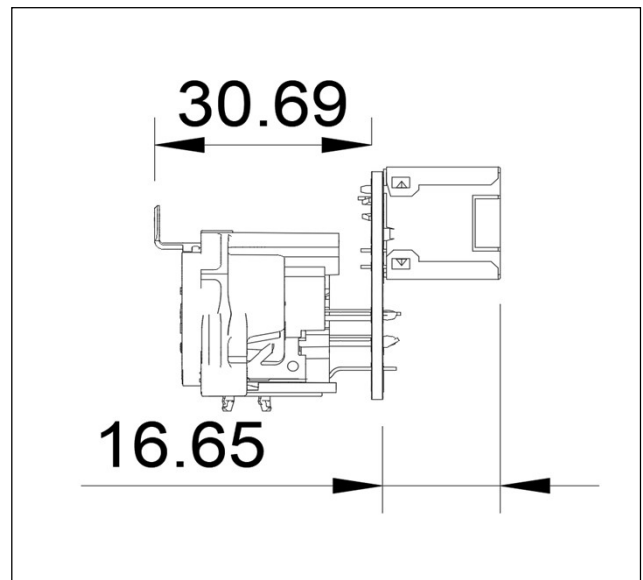
3D



2D

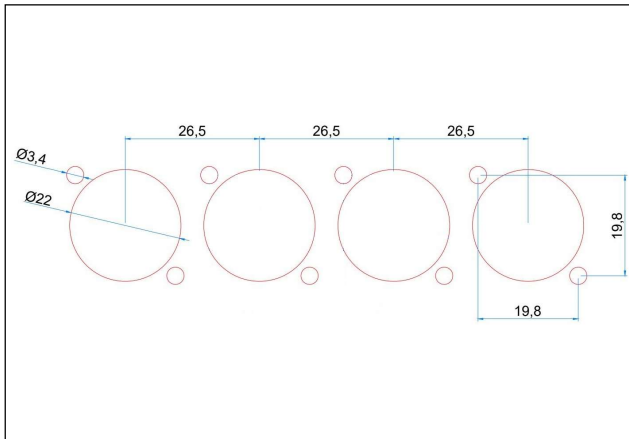


2D



## 1A01210 - ADM4OUT1RJ

### Cutout



### Components

- 1x CSAD4IORJ
- 1x RJ45 VERTICAL PCB JACK
- 4x NC3MAV

### Pinout

RJ45 / PCB Pin	Pair	D2N4,5 Wire Color	NC3
1	1	White	CH 1 – Pin 2
2		Red	CH 1 – Pin 3
3	2	White	CH 2 – Pin 2
6		Red	CH 2 – Pin 3
4	3	White	CH 3 – Pin 2
5		Red	CH 3 – Pin 3
7	4	White	CH 4 – Pin 2
8		Red	CH 4 – Pin 3
S		All Drains	

### Notes:

Requires S/UTP or SF/UTP type Cat5/6/7 Cable,